

3. BR/VI 2-1



Open/Close actuator (AC/DC 24 V)

Control by single-pole contact (single-wire control)

Running time < 30 s

Application

The type BR24-F-ST actuator is intended for the operation of smoke dampers in ventilation and air-conditioning systems.

Note

The modification and mounting of the actuator to the smoke damper are made by the manufacturer of the damper. For this reason the actuator is only supplied directly to fire and smoke damper manufacturers. The manufacturer then bears overall responsibility for proper functioning of the damper.

Signalling

There are two fixed microswitches in the actuator BR24-F-ST for indicating the end positions of the damper. Intermediate positions of the damper blade are shown by a mechanical indicator.

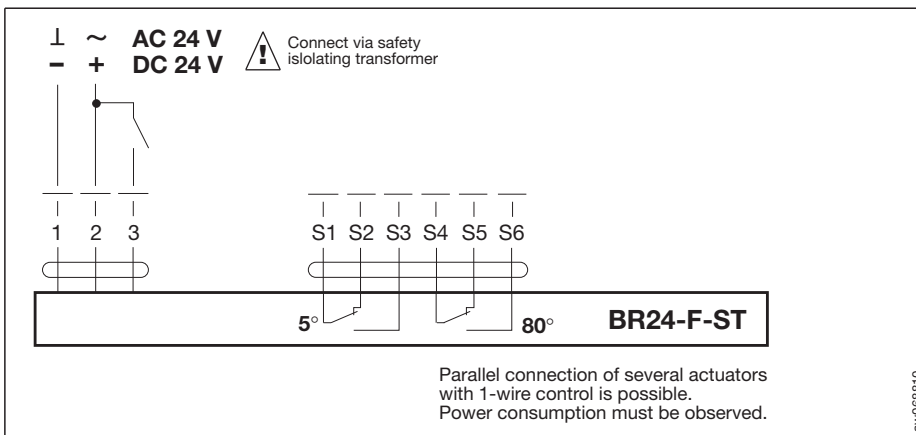
Manual operation

The damper can be operated manually by means of a crank handle. The functional check of the damper is therefore possible by simple means.

Important

The actuator BR24-F-ST is compatible with the control unit for pulse triggering **BSIA24-48(-R)**.

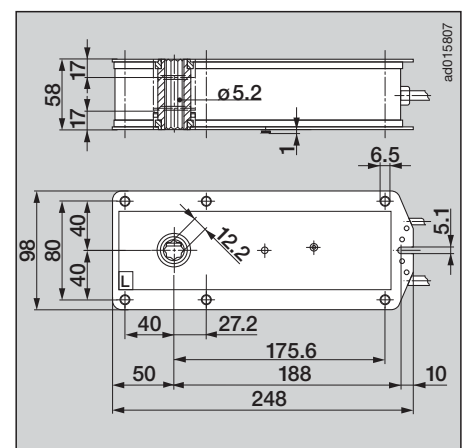
Wiring diagram



Technical data	BR24-F-ST
Nominal voltage	AC 24 V 50/60 Hz, DC 24 V
Nominal voltage range	AC/DC 20.4 ... 28.8 V
Fore wire sizing	15 VA
Power consumption	12 W running / 1.2 W at end position
Connecting cable	
- Motor	1m long, 3 x 0.75mm ² (with plug 3 pole)
- Auxiliary switches	1m long, 6 x 0.75mm ² (with plug 3 pole)
Cable type	C2
Auxiliary switches	2 x SPDT 6 (3) A, AC 250 V
- Switching points	5°, 80°
Direction of rotation	selected by mounting L / R
Torque	15 Nm
Torque of stoppage	min. 30 Nm (static)
Angle of rotation	95°
Damper rotation	12 mm form-fit
Running time	< 30 s
Sound power level	60 dB (A)
Service life	min. 10 000 operations
Position indication	mechanical with pointer
Protection class	III
Degree of protection	IP 54
Ambient temperature range	- 30...+ 50 °C
Safe temperature	- 30...+ 70 °C (24h guaranteed safety)
Non-operating temperature	- 40...+ 80 °C
Humidity test	to EN 60335-1
EMC	CE according 89/336/EEC and 92/31/EEC
Maintenance	maintenance-free
Weight	2200 g

Subject to technical changes 10/98

Dimensions



3. BR/VI 1-1



**Open/Close actuator
(AC/DC 24...48 V)**

**Control by single-pole contact
(single-wire control)**

Running time < 30 s

Application

The type BR24-48-F-ST actuator is intended for the operation of smoke dampers in ventilation and air-conditioning systems.

Note

The modification and mounting of the actuator to the smoke damper are made by the manufacturer of the damper. For this reason the actuator is only supplied directly to fire and smoke damper manufacturers. The manufacturer then bears overall responsibility for proper functioning of the damper.

Signalling

There are two fixed microswitches in the actuator BR24-48-F-ST for indicating the end positions of the damper. Intermediate positions of the damper blade are shown by a mechanical indicator.

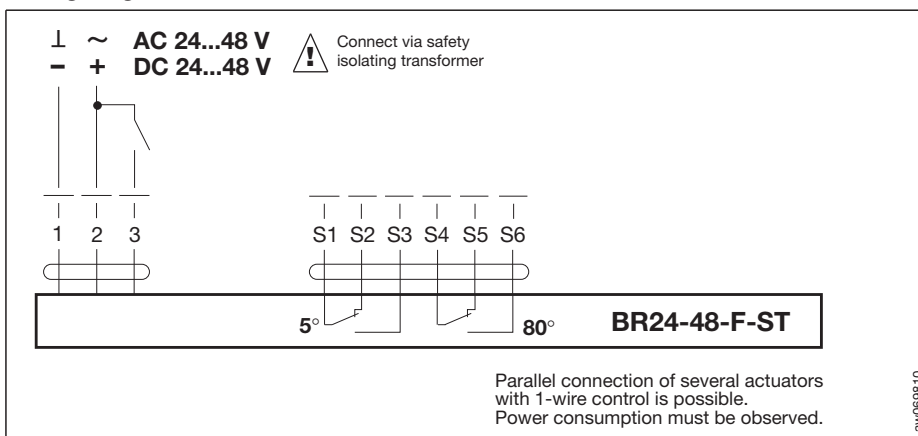
Manual operation

The damper can be operated manually by means of a crank handle. The functional check of the damper is therefore possible by simple means.

Important

The actuator BR24-48-F-ST is compatible with the control unit for pulse triggering **BSIA24-48(-R)**.

Wiring diagram



Technical data	BR24-48-F-ST
Nominal voltage	AC 24 ... 48 V 50/60 Hz, DC 24 ... 48 V
Nominal voltage range	AC/DC 20.4 ... 57.6 V
Fore wire sizing	15 ... 30 VA
Power consumption	12 ... 24 W running / 1.5 ... 3 W at end position
Connecting cable	
- Motor	1m long, 3 x 0.75mm ² (with plug 3 pole)
- Auxiliary switches	1m long, 6 x 0.75mm ² (with plug 3 pole)
Cable type	C2
Auxiliary switches	2 x SPDT 6 (3) A, AC 250 V
- Switching points	5°, 80°
Direction of rotation	selected by mounting L / R
Torque	15 Nm
Torque of stoppage	min. 30 Nm (static)
Angle of rotation	95°
Damper rotation	12 mm form-fit
Running time	< 30 s
Sound power level	60 dB (A)
Service life	min. 10 000 operations
Position indication	mechanical with pointer
Protection class	III
Degree of protection	IP 54
Ambient temperature range	- 30...+ 50 °C
Safe temperature	- 30...+ 70 °C (24h guaranteed safety)
Non-operating temperature	- 40...+ 80 °C
Humidity test	to EN 60335-1
EMC	CE according 89/336/EEC and 92/31/EEC
Maintenance	maintenance-free
Weight	2200 g

Subject to technical changes 10/98

Dimensions

